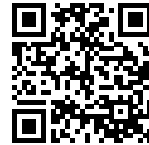


Sink Elettra

Bowl on the left

Kitchen Sinks

Code: 5186 062



DETAILS

Edge/Installation Type Standard (8 mm Edge)

Finish Foster brushed

Material AISI 304 stainless steel

Texture Foster brushed

Base 45 cm

Dimensions 860x500 mm

Standard fittings Fixing hooks, gasket, drain, overflow and siphon, boxed packing

Mixer holes 1 standard hole - 2nd hole on request

Built-in hole 840x480 mm

Drainer Yes

Width 86 cm

Bowl dimension 341x400mm

Number of bowls 1 bowl

Waste fitting 3,5" drain

FEATURES

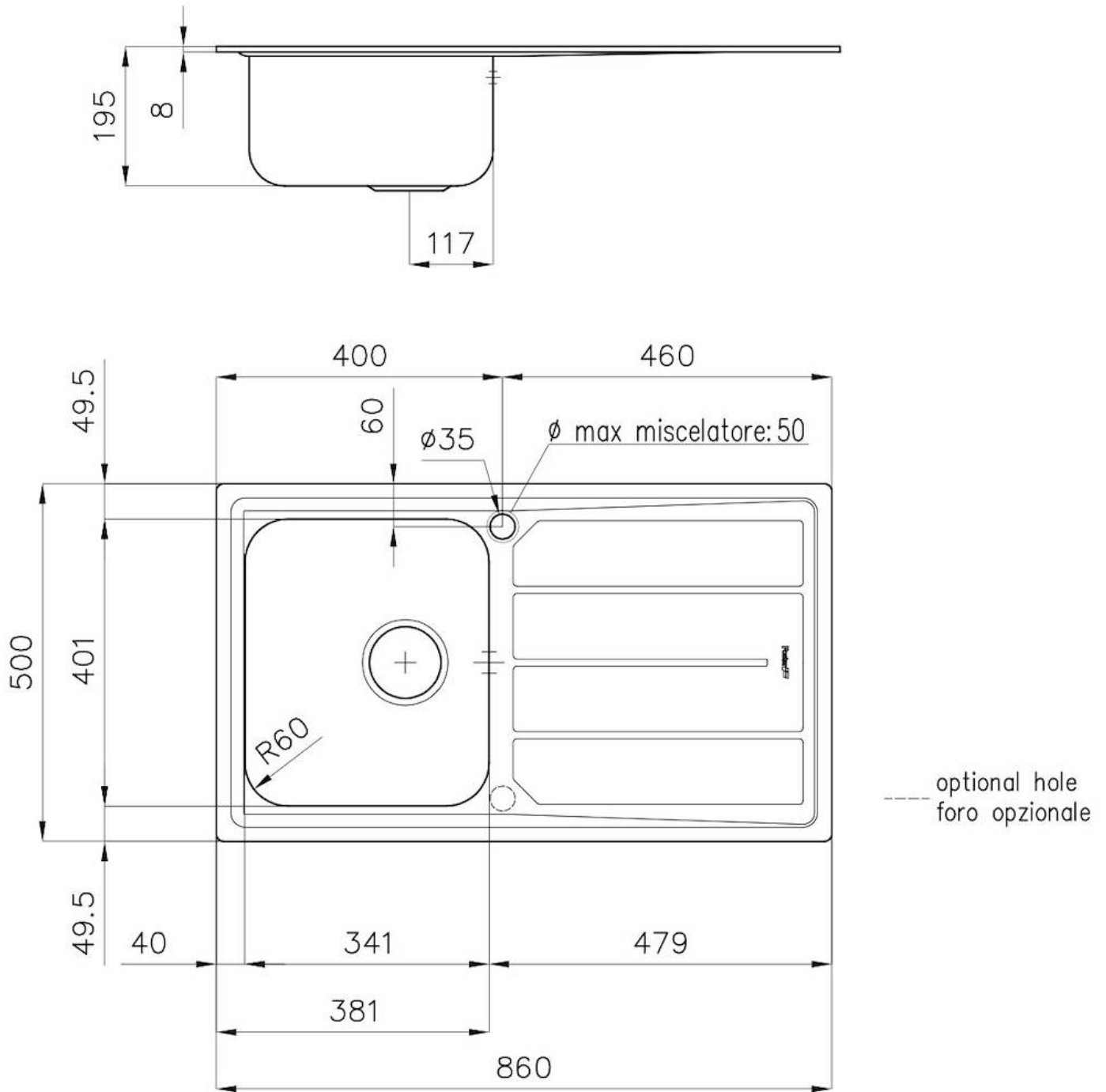
Sliding brackets

Added value Foster uses steel thicknesses higher than those used on average by other manufacturers. This is how, thanks to our long experience, we know how to make sinks of superior quality and with a better resistance to aging.

Basket 3,5" waste fitting The drain is equipped with a large 3.5" drain, with the practical basket cap that prevents the discharge of solid parts.

2nd / 3rd hole available The sink can be customized with the execution on request of additional holes, usable for double-hole mixers, for remote controlled drains or for the installation of soap dispensers. The positions are marked on the drawings with dotted line holes.

TECHNICAL DATA



OPTIONAL ACCESSORIES



Glass chopping board
8631 300



HPDE Chopping board
8657 001



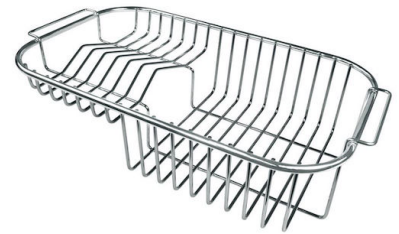
Iroko-wood chopping board
8647 000



Iroko-wood sliding chopping board
8643 000



Stainless steel basket
8611 000



Stainless steel plate rack
8100 301



White bowl
8153 100

OPTIONAL AUTOMATIC WASTE FITTINGS



Automatic waste fitting
8407 100



Automatic waste fitting
8407 000



LIRA automatic waste fitting
8407 103